

Interface PCB

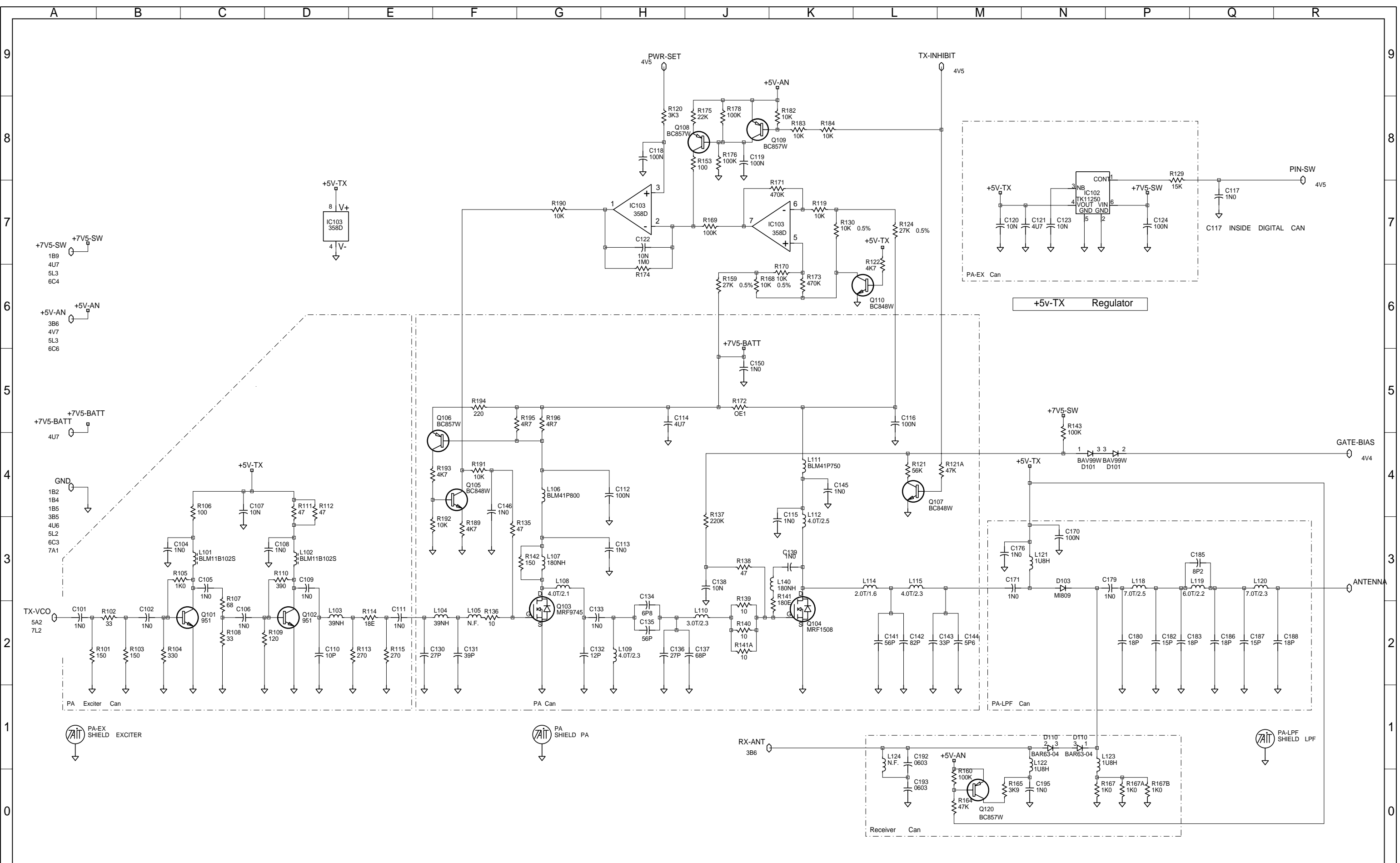
Connector

Accessory

04 A	MORE PA MODS	DBH		DBH	CI	31/03/98
03 A	UPDATE TO INCL. NEW PA LINEUP	DJW/MJ				29/04/98
REV/ISS	AMENDMENTS	DRAWN	CHKD	D.O.	APVD	DATE

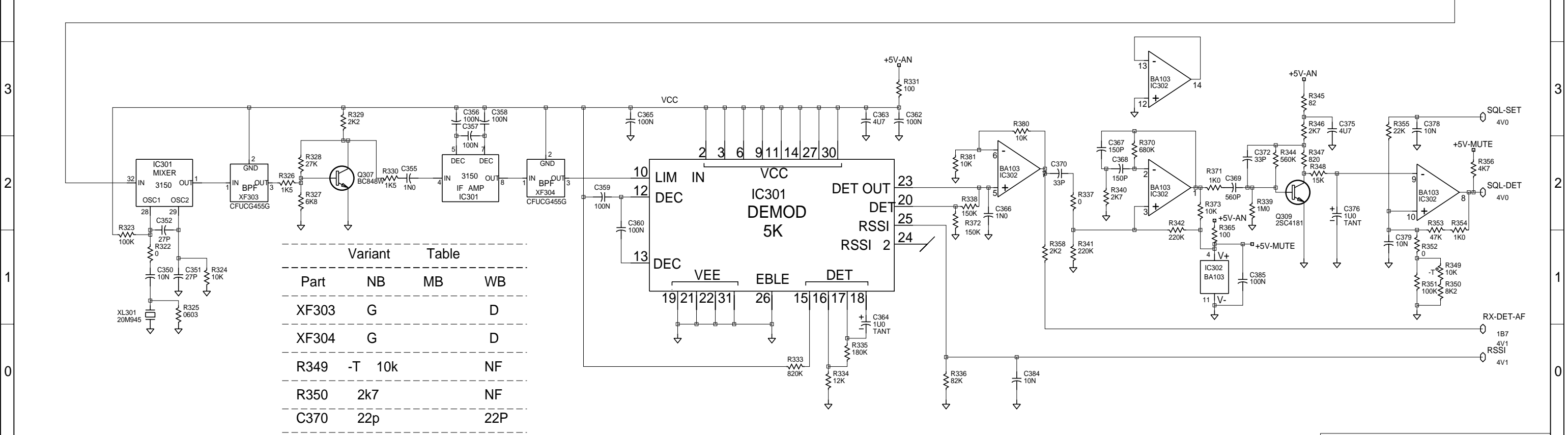
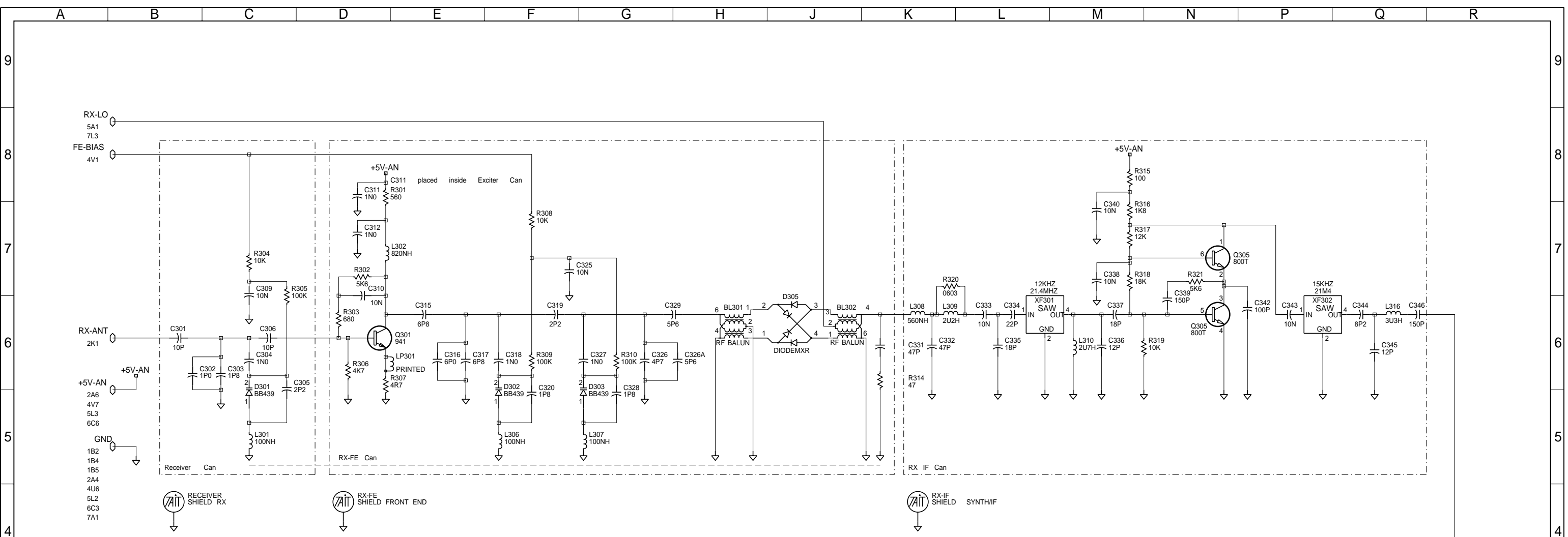
VHF
Tait Orca

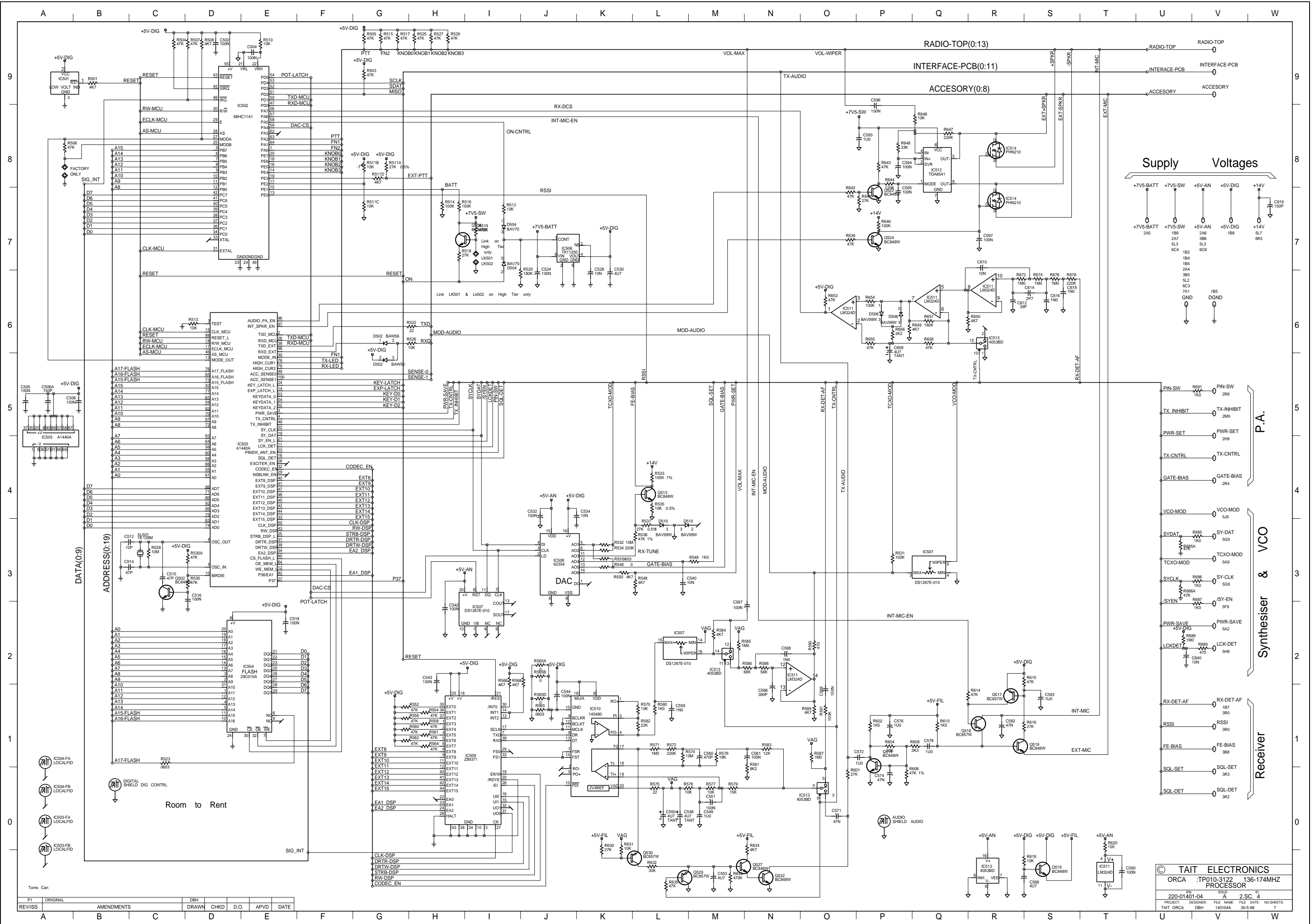
© TAIT ELECTRONICS	
ORCA	:TP010-3122 136-174MHZ SYSTEM DIAGRAM
IPN: 220-01401-04	ISSUE: A 2.S.C. 1
PROJECT: TAIT ORCA	DESIGNER: DBH
FILE NAME: 140104A	FILE DATE: 30-5-98
	NO. SHEETS: 7



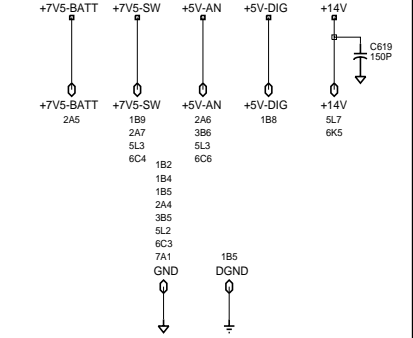
03A	NEW PA LINEUP (DW,BC-S,LL)	DJW			29/04/98
REV/ISS	AMENDMENTS	DRAWN	CHKD	D.O.	APVD DATE

© TAIT ELECTRONICS
 ORCA :TP010-3122 136-174MHZ
 POWER AMPLIFIER
 IPN: 220-01401-04 ISSUE: A ID: 2.S.C. 2
 PROJECT: TAIT ORCA DESIGNER: DBH FILE NAME: 140104A FILE DATE: 30-5-98 NO.SHEETS: 7

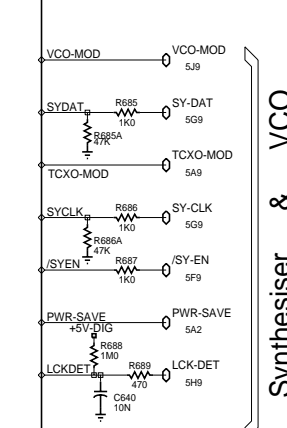




Supply Voltages



P.A.

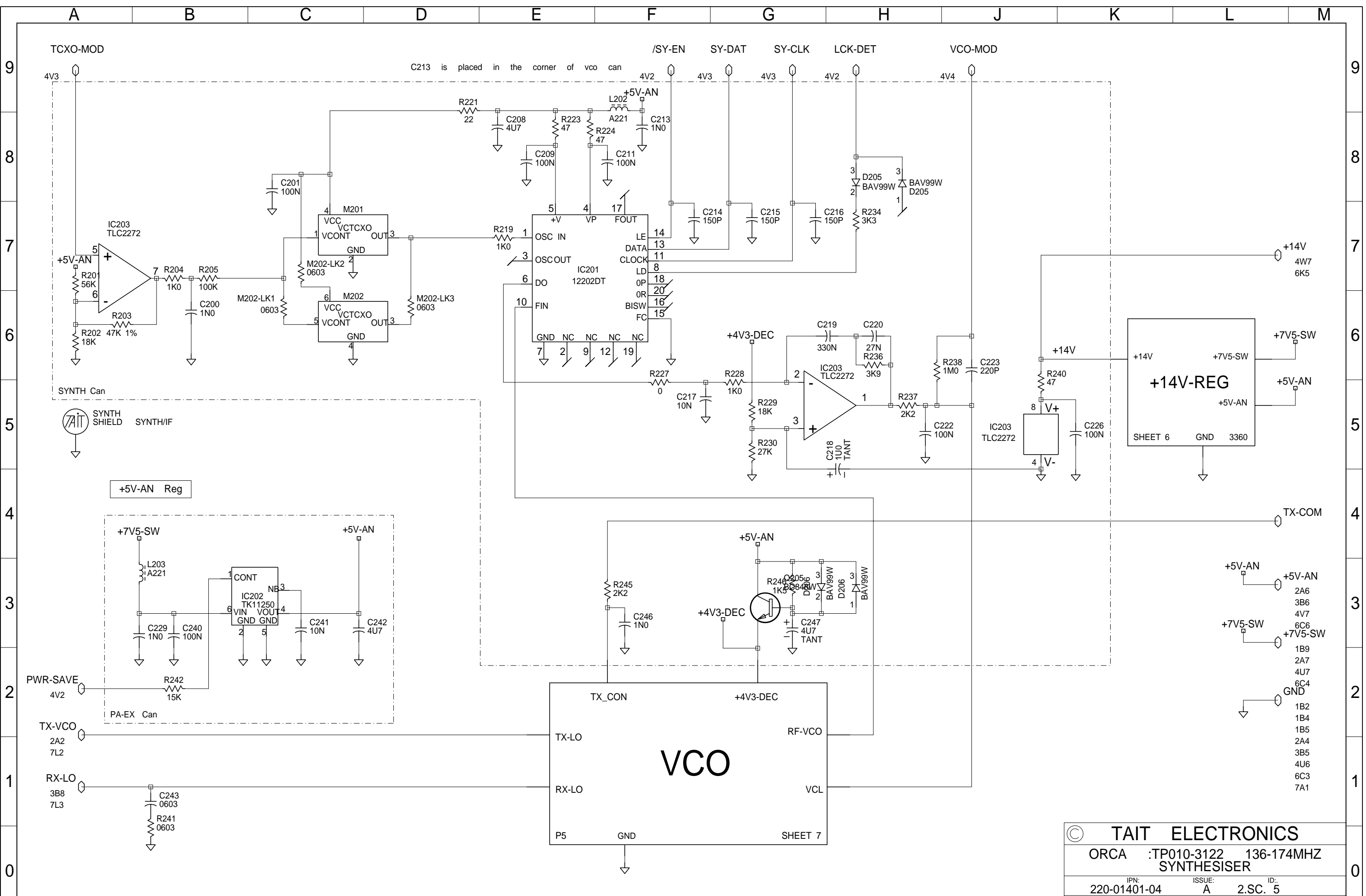


Synthesiser & VCO

Receiver

© TAIT ELECTRONICS
 ORCA :TP101-3122 136-174MHZ
 PROCESSOR
 220-01401-04
 TAIT ORCA DBH 140104 30-5-98 7

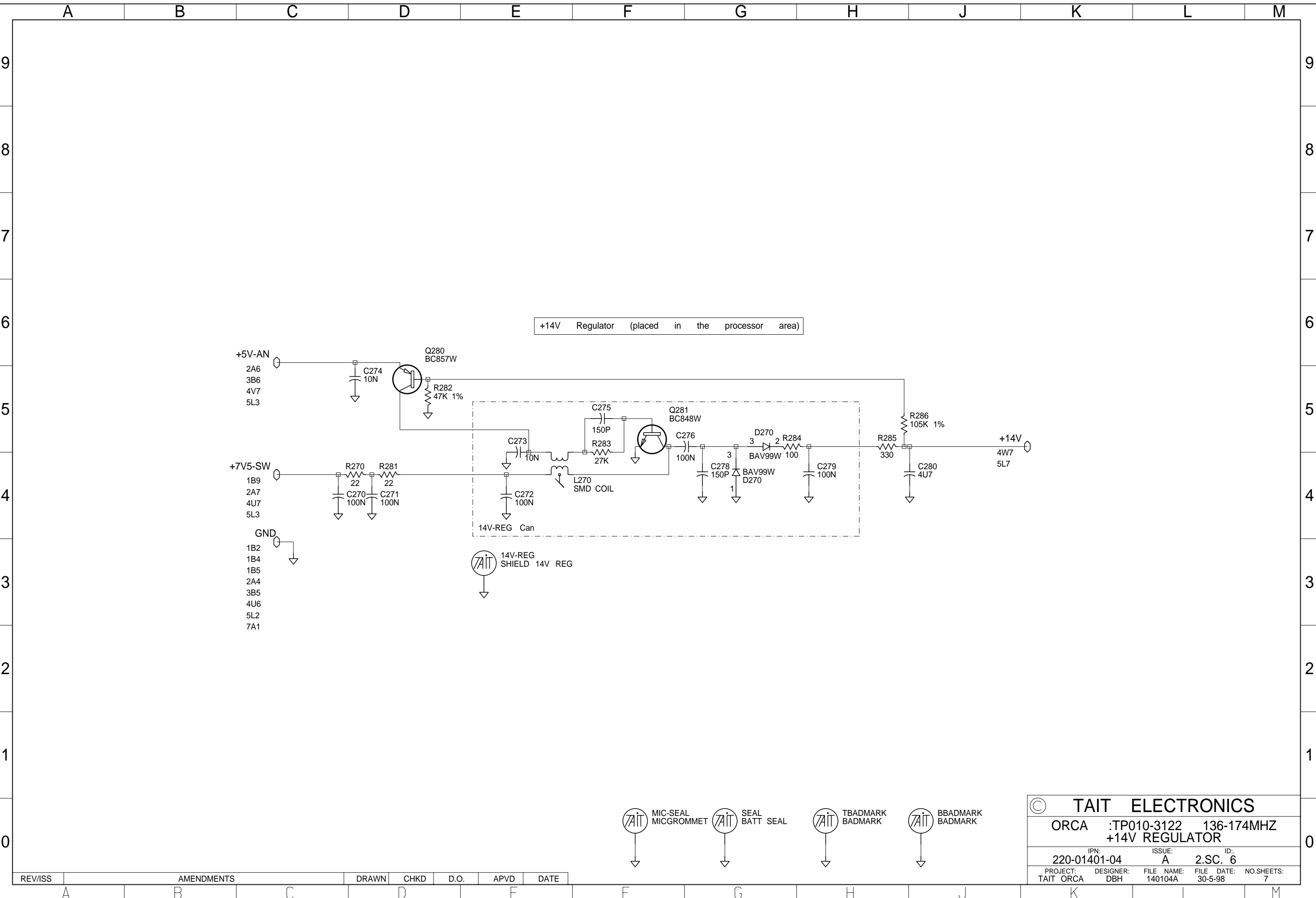
REV/ISS	ORIGINAL	AMENDMENTS	DRAWN	CHKD	D.O.	APV/D	DATE
P1			DBH				







© TAIT ELECTRONICS
 ORCA :TP010-3122 136-174MHZ SYNTHESISER
 IPN: 220-01401-04 ISSUE: A ID: 2.SC. 5
 PROJECT: TAIT ORCA DESIGNER: DBH FILE NAME: 140104A FILE DATE: 30-5-98 NO.SHEETS: 7

REV/ISS	AMENDMENTS	DRAWN	CHKD	D.O.	APVD	DATE

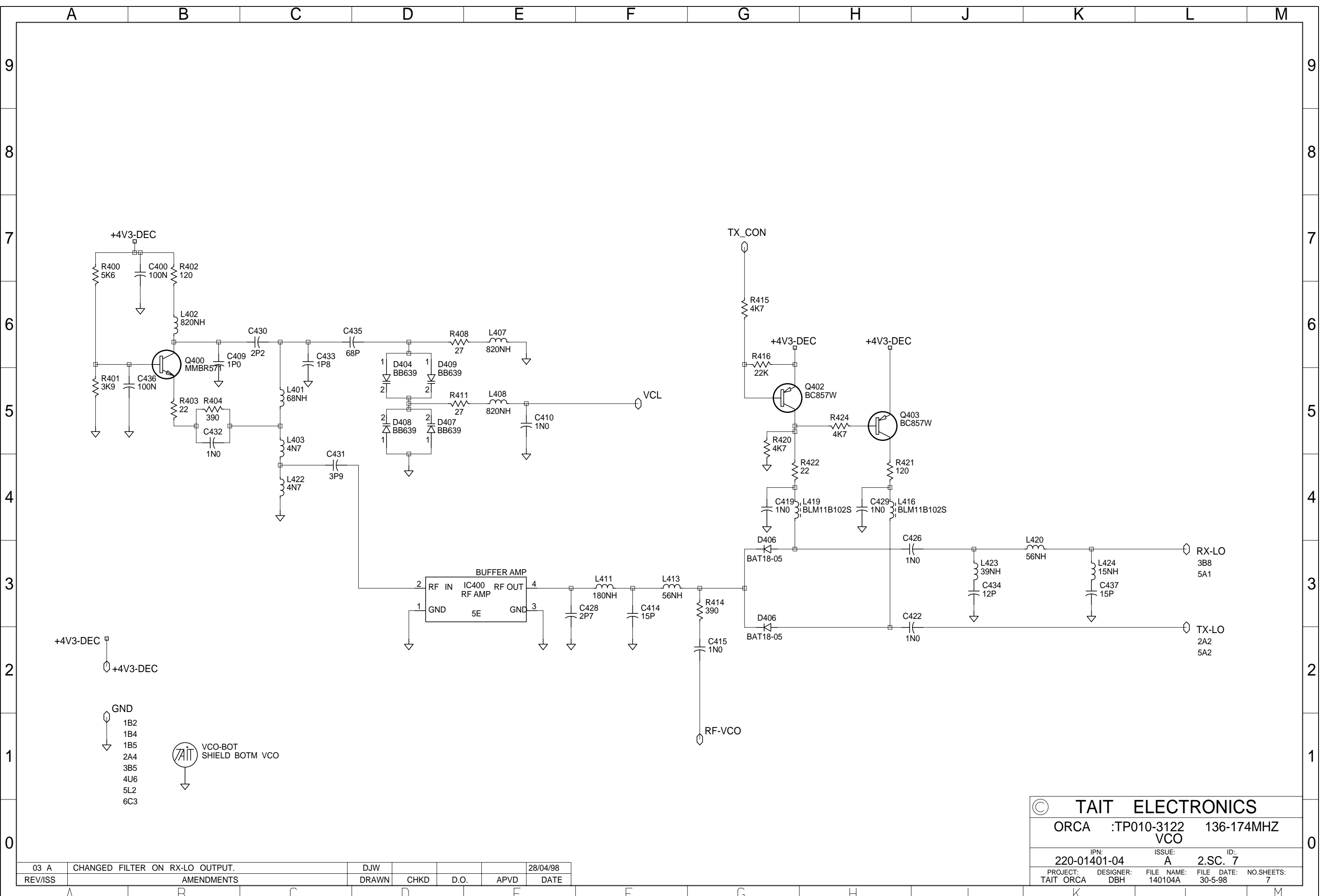
- +5V-AN 2A6
- +5V-AN 3B6
- 4V7 4V7
- +7V5-SW 6C6
- +7V5-SW 7A1
- 1B9
- 2A7
- 4U7
- 6C4
- GND
- 1B2
- 1B4
- 1B5
- 2A4
- 3B5
- 4U6
- 6C3
- 7A1



- 
 MIC-SEAL
MICGROMMET
- 
 SEAL
BATT SEAL
- 
 TBADMARK
BADMARK
- 
 BBADMARK
BADMARK

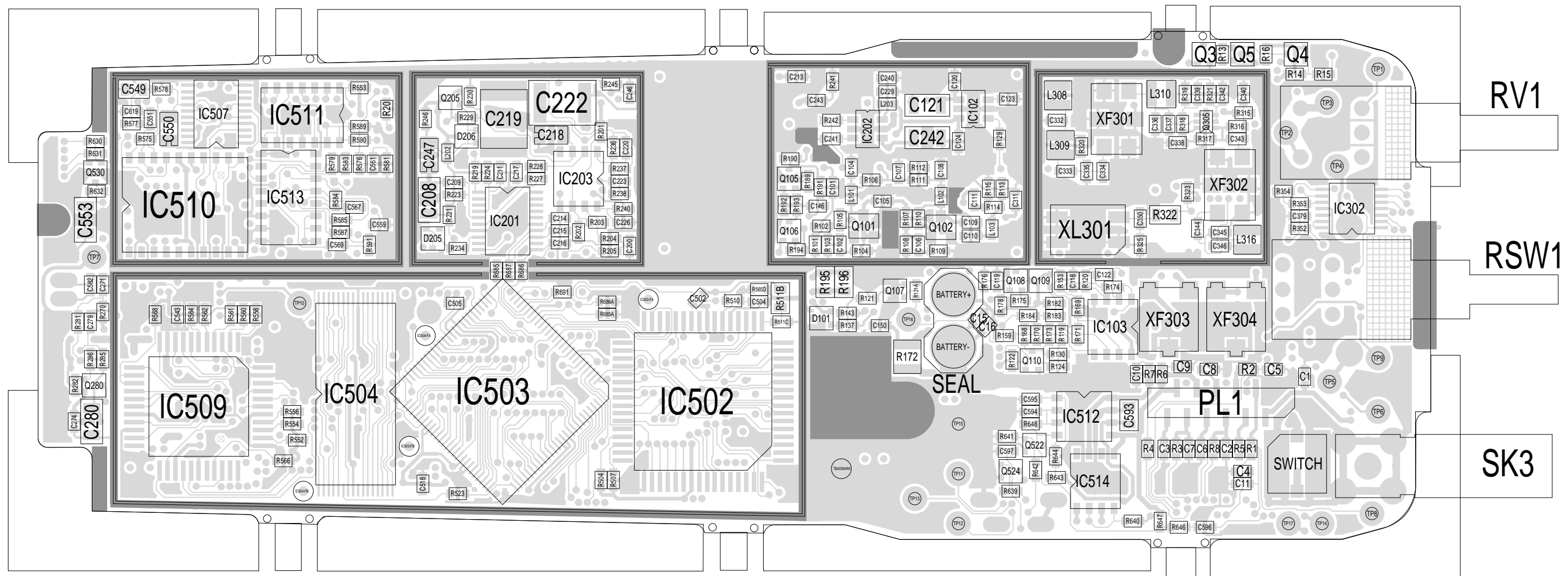
© TAIT ELECTRONICS				
ORCA		:TP010-3122		136-174MHZ
+14V REGULATOR				
IPN: 220-01401-04		ISSUE: A		ID: 2.SC. 6
PROJECT: TAIT ORCA	DESIGNER: DBH	FILE NAME: 140104A	FILE DATE: 30-5-98	NO.SHEETS: 7

REV/ISS	AMENDMENTS	DRAWN	CHKD	D.O.	APVD	DATE



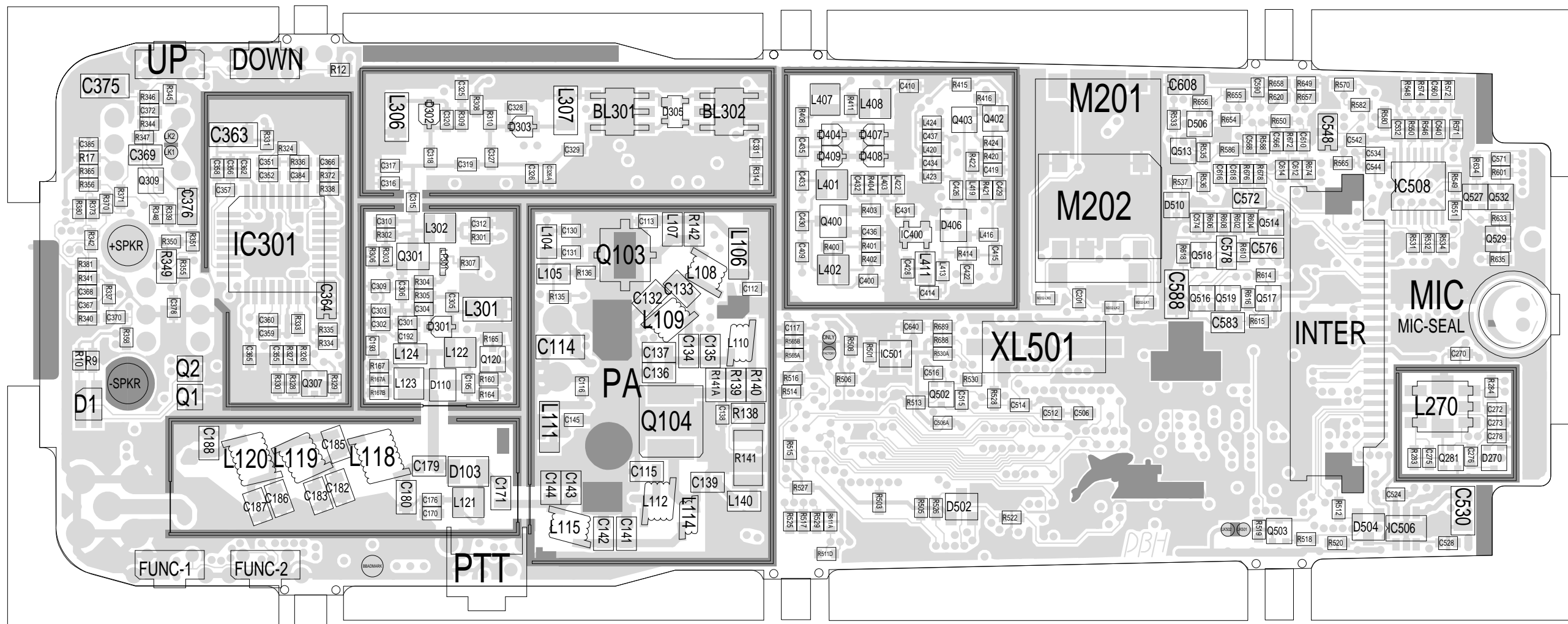
03 A	CHANGED FILTER ON RX-LO OUTPUT.	DJW				28/04/98
REV/ISS	AMENDMENTS	DRAWN	CHKD	D.O.	APVD	DATE

© TAIT ELECTRONICS
 ORCA :TP010-3122 136-174MHZ
 VCO
 IPN: 220-01401-04 ISSUE: A ID: 2.SC. 7
 PROJECT: TAIT ORCA DESIGNER: DBH FILE NAME: 140104A FILE DATE: 30-5-98 NO.SHEETS: 7



TAIT ELECTRONICS	IPN: 220-01401-04	ISS: -04A	ID: 1.TA	DATE: 30 May 1998
ORCA VHF PCB LAYOUT - TOP SIDE				

Scale:2.3:1 ; Rotation: 0 degrees



TAIT ELECTRONICS IPN: 220-01401-04 ISS: -04A ID: 6.BA DATE: 30 May 1998
 ORCA VHF PCB LAYOUT - BOTTOM SIDE

Scale: 2.3:1 ; Rotation: 0 degrees

